

APOLLO WITH ABS DRAWER PULLS



The Apollo cart line is now available with drawer pulls combined with tambour doors/glass doors or solid doors. Using telescopic slide drawers, working efficiency can be increased – items that are often used should be placed in the drawer pulls and items that are less used should be placed behind closed doors

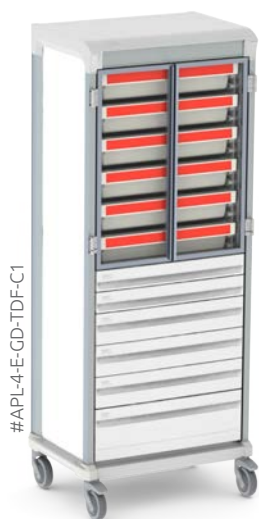
Drawer fronts can be mounted directly on the ISO modules or mounted on telescopic slides

Tambour door with drawer pulls



Glass door with drawer pulls

Solid door with drawer pulls



#APL-4-E-GD-TDF-C1

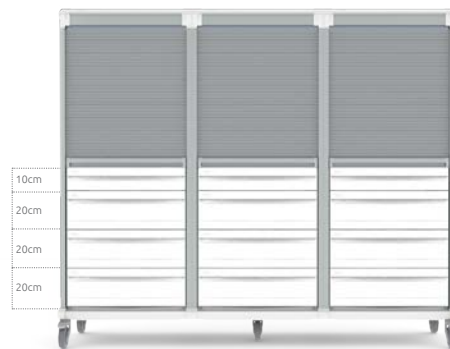
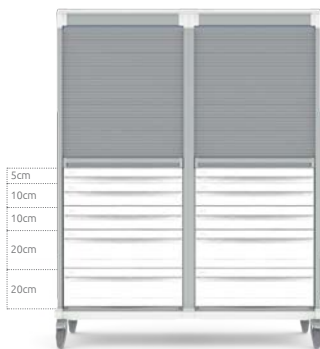
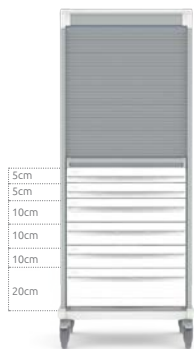
#APL-4-E-SD-TDF-C1

#APL-4-EE-TD-TDF-C1

Single E cart

Double E cart

Triple E cart



#APL-4-E-TD-DDF-C1
#APL-4-E-TD-TDF-C1

#APL-4-EE-TD-DDF-C2
#APL-4-EE-TD-TDF-C2

#APL-4-EEE-TD-DDF-C3
#APL-4-EEE-TD-TDF-C3

OR

OR

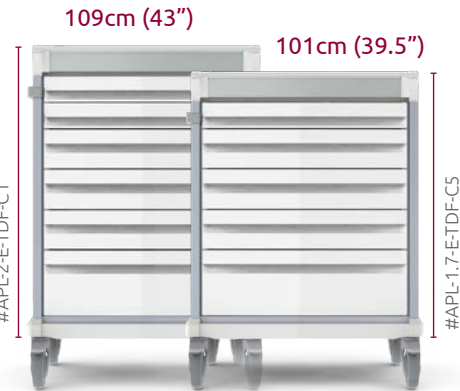
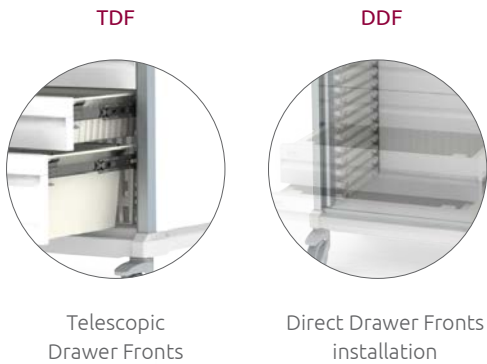
TDF - Telescopic Drawer Fronts DDF - Direct Drawer Fronts installation

Apollo PROCEDURE CARTS



The Apollo cart can be configured as an extremely light weight, maneuverable procedure/general treatment cart

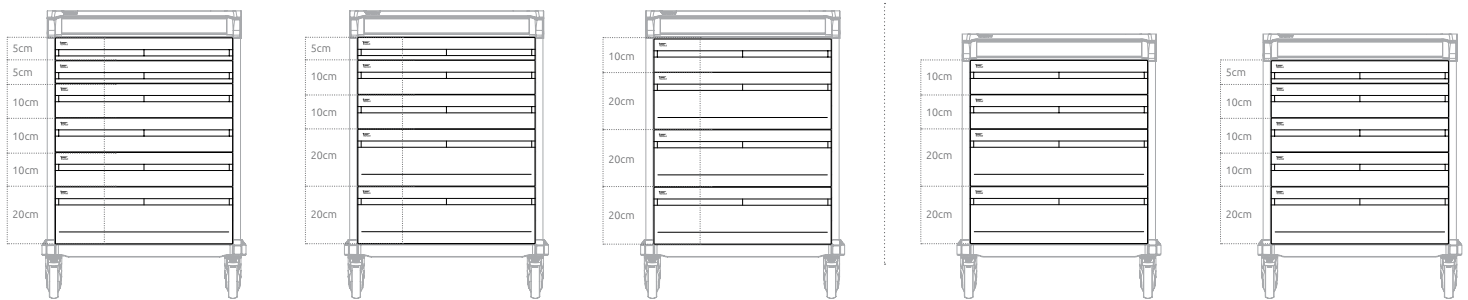
The Apollo cart can be equipped with telescopic slide drawers or trays and baskets sliding on the Pegasus ABS side panels



DRAWER CONFIGURATION:

109cm (43") high

101cm (39.5") high



#APL-2-E-DDF-C1
#APL-2-E-TDF-C1

#APL-2-E-DDF-C2
#APL-2-E-TDF-C2

#APL-2-E-DDF-C3
#APL-2-E-TDF-C3

#APL-1.7-E-DDF-C4
#APL-1.7-E-TDF-C4

#APL-1.7-E-DDF-C5
#APL-1.7-E-TDF-C5

TDF - Telescopic Drawer Fronts DDF - Direct Drawer Fronts installation